

ELMARK[®]

The Brand of Electricity

DC SURGE PROTECTION DEVICES FOR
PHOTOVOLTAIC (PV) SYSTEMS, TYPE 1+2



Functions:

T1+T2 three-module photovoltaic surge protective device (SPD) (with three -step DC switching device) features visual indication and optional remote contact signaling (floating changeover contact) for use in PV systems

TECHNICAL SPECIFICATION

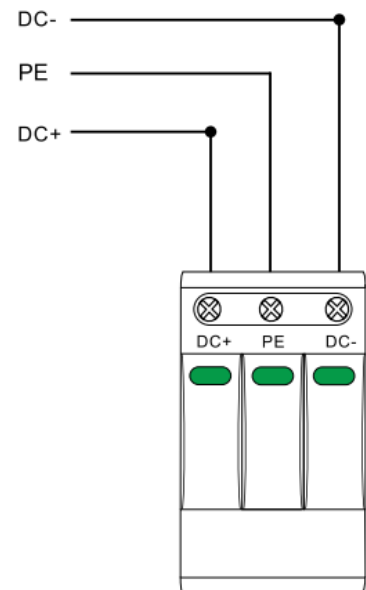
AUTOMATION

ELMARK[®]

The Brand of Electricity

Technical data:

- SPD classification according to IEC/EN61643-31: T1+T2
- Max. continuous operating a.c.voltage U_{cpv} : 1000 and 1500 VDC
- Impulse Discharge Current I_{imp} (10/350 μ s): 6.25kA
- Total Discharge Current I_{total} (10/350 μ s): 12.5kA
- Nominal discharge current I_n (8/20 μ s): 20kA
- Maximum discharge current I_{max} (8/20 μ s): 40kA
- Voltage protection level DC+/DV-to PE: ≤ 5.2 kV
- Response time: ≤ 25 ns
- Operating temperature range (T_u): $-40^{\circ}\sim 80^{\circ}$
- Operating State/Fault Indication: Green/Red
- Cross-section area (Min.): 4 mm²
- Cross-section area (Max.): 35 mm²
- Enclosure material: Thermal Plastic UL94-V0
- Ingress Protection: IP2



Connection diagram

Mounting:

- Vertical
- DIN-rail

TECHNICAL SPECIFICATION

AUTOMATION

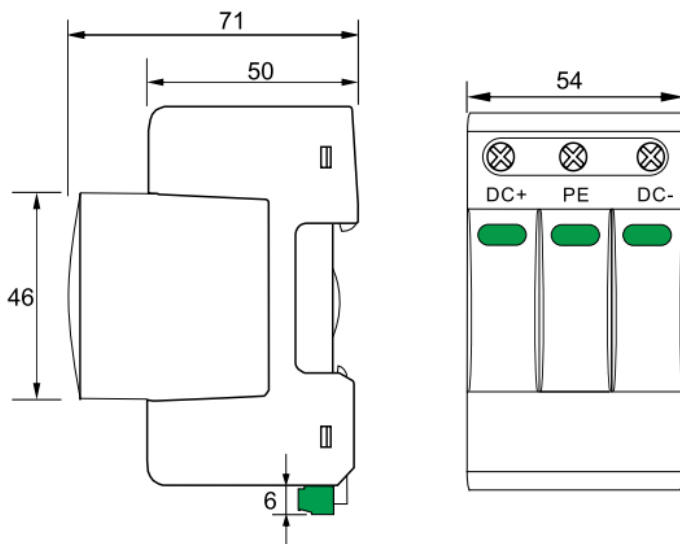
ELMARK[®]

The Brand of Electricity

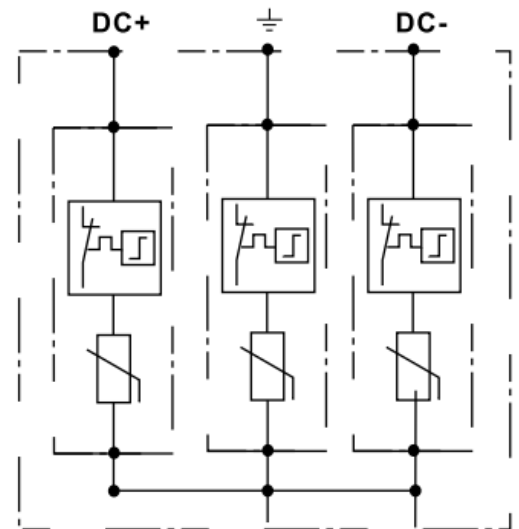
Variants:

Catalogue number	Number of poles	In (kA)	I _{max} (kA)	U _{cpv}	Packing/Box (pcs)
64310	3P	20	40	1000	1/40
64311	3P	20	40	1500	1/40

Dimensions:



Overall and installation dimensions



Circuit diagram

Documents corresponding to the product:

IEC/EN61643-31



www.elmarkholding.eu